



**HEAT&GLO**  
No one builds a better fire



Multi-Sided  
Direct Vent  
Gas Fireplaces



A different angle  
& another  
point of view.

**ST-550TM** (cover and top) Shown with Modern front in New Bronze

**ST-36TR** (right) Shown with Aero front in Black and electric ember bed





You can see a fireplace as simply the wonderful source of warmth and renewal that it is, but look again. A multi-sided fireplace can also be a room divider, a window, or a dramatic architectural element.

- In popular, flexible sizes—along with a variety of models and options—our multi-sided family is ideal for new construction, renovations and additions alike.
- Pier, See-Through and Corner vent off either the side or top, inspiring creative installation and design ideas.
- Each model offers a direct vent, completely sealed system that draws air for combustion from the outdoors only and expels any combustion by-products outside, maintaining clean indoor air.
- Standard electric ember beds in the Pier and See-Through provide year-round enjoyment of the fireplace, with or without flame.

# Multi-Sided

There's more than one way to look at a gas fireplace.





## Pier

The Pier provides three-sided viewing, and it works perfectly as a room divider or even the base of a bar. Finish with Aero, Arcadia or Chateau Deluxe front.

**Pier-36** shown with Aero front in Black and custom tile.



## Corner

Put a dark, dull corner to better use. This multi-sided model adds light and warmth to any corner, left or right. Finish with an Aero front.

**LCOR-36TRB** shown with Aero front in Black



## See-Through

The See-Through brings two rooms together while letting you design each side differently. Available in 32" and 36" models. Finish with your choice of front or door options.

**ST-550T** shown with CF-550 front in New Bronze and custom tile

# Gateway™

The Gateway goes where other multi-sided fireplaces might not. Our patented draft-assist technology combined with its smaller size means the Gateway can be installed virtually anywhere. Includes top and bottom louver assembly. No front or door required.

**Gateway** shown with custom finishing



## Options

### Aero Front\*



Fits Pier-36, ST-36, ST-550T\* and Corner

### Arcadia Front



Fits Pier-36 and ST-36

### Chateau Deluxe Front



Fits Pier-36, ST-36 and ST-550T\*

### Halston Operable Doors



Fits ST-36 and ST-550T\*

### Galleria Operable Doors



Fits ST-36

### Valencia Operable Doors



Fits ST-36

### Folio Front (Inside Fit)



Fits ST-36  
(Does not overlap)

### CF-550 Front



Fits ST-550T\*

### Modern Front



Fits ST-550TM

## Finishes

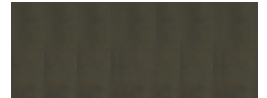
Four rich finishes. High on style, long on durability.



Aged Brass



Black



New Bronze



Graphite

## Ember Bed



Electric ember bed provides a warm glow with or without flame. Not available on all models.

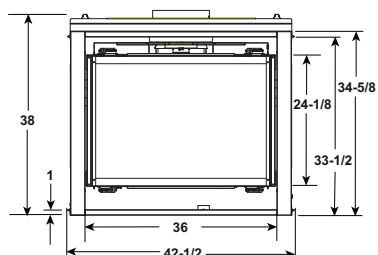
\*Aero Front and ST-550T fronts are not available in Aged Brass

## ST-36 Specifications

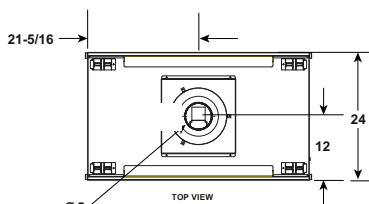
| MODEL               | HEIGHT |         | FRONT WIDTH |         | BACK WIDTH |         | DEPTH  |         | GLASS SIZE  | BTU/HOUR INPUT  |
|---------------------|--------|---------|-------------|---------|------------|---------|--------|---------|-------------|-----------------|
|                     | Actual | Framing | Actual      | Framing | Actual     | Framing | Actual | Framing |             |                 |
| ST-36TVB            | 38     | 38-1/2  | 42-1/2      | 43      | 42-1/2     | 43      | 24     | 23      | 36 x 24-1/2 | 26,000 - 37,000 |
| ST-36TR<br>ST-36TRB | 38     | 38-1/8  | 42-1/2      | 43      | 42-1/2     | 43      | 24     | 23      | 36 x 24-1/2 | 26,000 - 37,000 |

ST-36TVB

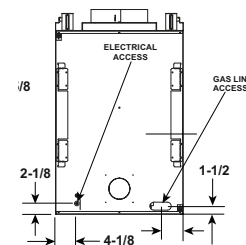
Front View



Top View

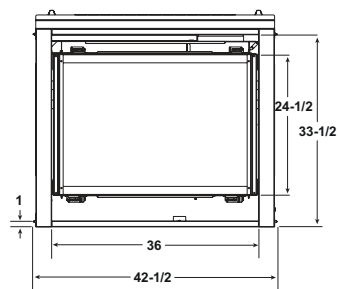


Side View

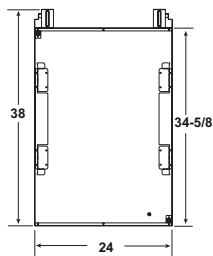


ST-36TRB/ST-36TR

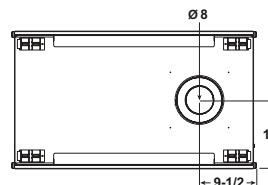
Front View



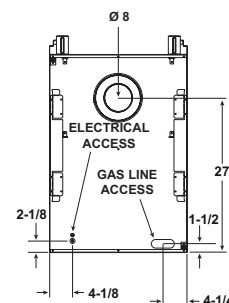
Side View



Top View



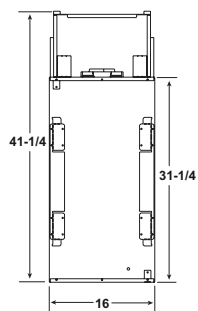
Side View



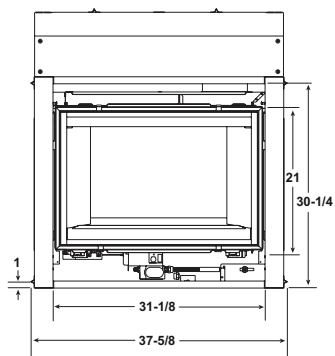
## ST-550TM Specifications

| MODEL    | HEIGHT |         | FRONT WIDTH |         | BACK WIDTH |         | DEPTH  |         | GLASS SIZE | BTU/Hour INPUT  |
|----------|--------|---------|-------------|---------|------------|---------|--------|---------|------------|-----------------|
|          | Actual | Framing | Actual      | Framing | Actual     | Framing | Actual | Framing |            |                 |
| ST-550TM | 41-1/4 | 41-1/2  | 37-5/8      | 38-1/8  | 37-5/8     | 38-1/8  | 16     | 15      | 31 x 21    | 16,000 - 22,000 |

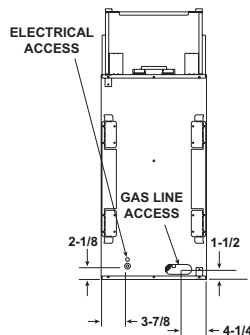
Side View



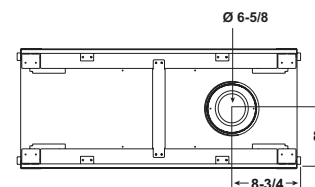
Front View



Side View

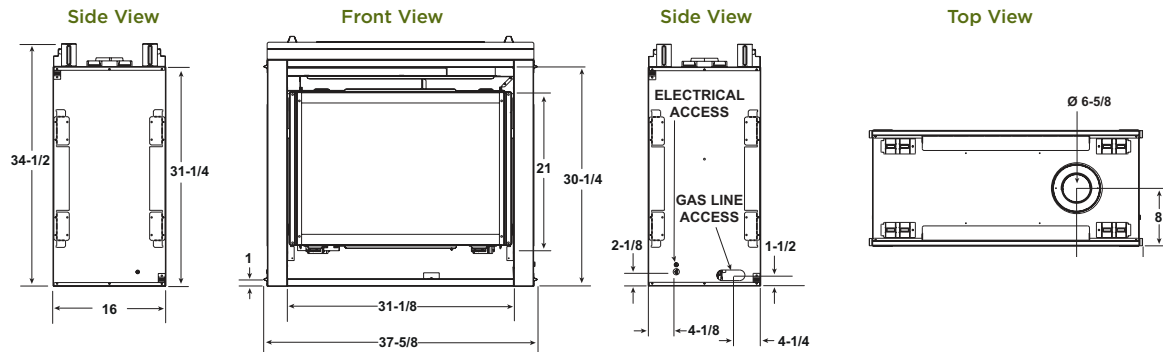


Top View



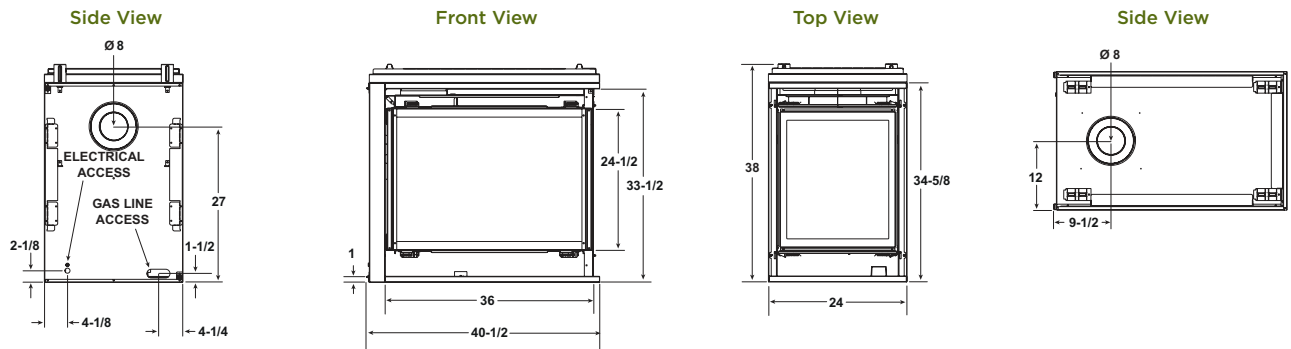
## ST-550T Specifications

| MODEL   | HEIGHT |         | FRONT WIDTH |         | BACK WIDTH |         | DEPTH  |         | GLASS SIZE | BTU/Hour INPUT  |
|---------|--------|---------|-------------|---------|------------|---------|--------|---------|------------|-----------------|
|         | Actual | Framing | Actual      | Framing | Actual     | Framing | Actual | Framing |            |                 |
| ST-550T | 34-1/2 | 34-3/4  | 37-5/8      | 38-1/8  | 37-5/8     | 38-1/8  | 16     | 15      | 31x21      | 14,700 - 21,000 |



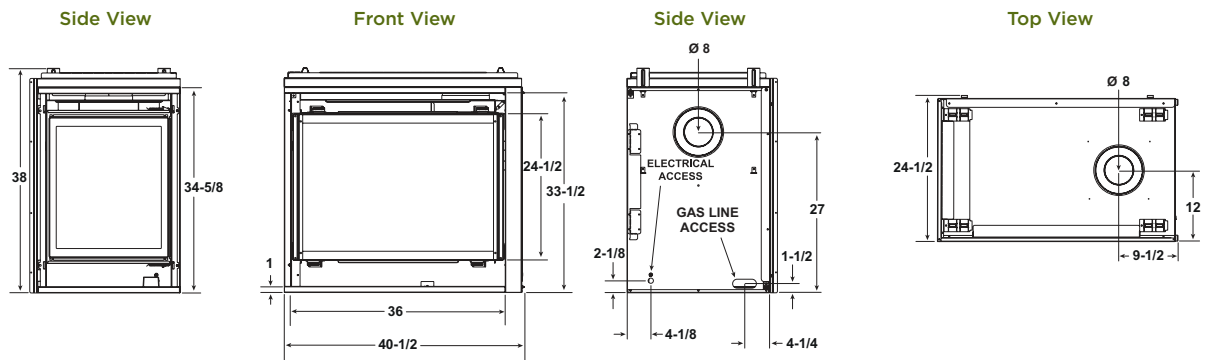
## Pier Specifications

| MODEL                   | HEIGHT |         | FRONT WIDTH |         | BACK WIDTH |         | DEPTH  |         | GLASS SIZE  | BTU/Hour INPUT  |
|-------------------------|--------|---------|-------------|---------|------------|---------|--------|---------|-------------|-----------------|
|                         | Actual | Framing | Actual      | Framing | Actual     | Framing | Actual | Framing |             |                 |
| PIER-36TR<br>PIER-36TRB | 38     | 38-1/8  | 40-1/2      | 40      | 40-1/2     | 40      | 24     | 23      | 36 x 24-1/2 | 26,000 - 37,000 |



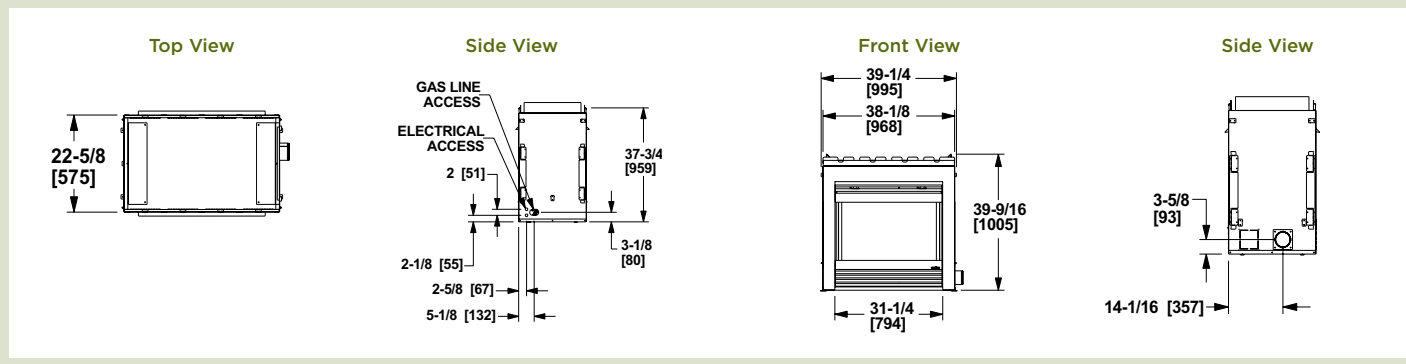
## Corner Specifications

| MODEL                    | HEIGHT |         | FRONT WIDTH |         | BACK WIDTH |         | DEPTH  |         | GLASS SIZE  | BTU/Hour INPUT  |
|--------------------------|--------|---------|-------------|---------|------------|---------|--------|---------|-------------|-----------------|
|                          | Actual | Framing | Actual      | Framing | Actual     | Framing | Actual | Framing |             |                 |
| LCOR-36TRB<br>RCOR-36TRB | 38     | 38-1/8  | 40-1/2      | 40      | 40-1/2     | 40      | 24     | 23      | 36 x 24-1/2 | 26,000 - 37,000 |



## Gateway Specifications

| MODEL   | HEIGHT  |         | FRONT WIDTH |         | BACK WIDTH |         | DEPTH  |         | GLASS SIZE      | BTU/HOUR INPUT (NG) |
|---------|---------|---------|-------------|---------|------------|---------|--------|---------|-----------------|---------------------|
|         | Actual  | Framing | Actual      | Framing | Actual     | Framing | Actual | Framing |                 |                     |
| GATEWAY | 39-3/16 | 40-1/4  | 39-1/4      | 40-1/4  | 39-1/4     | 40-1/4  | 22-5/8 | 21-5/8  | 30-1/4 X 20-3/4 | 35,000              |



### Healthy Hearth

Our direct vent fireplaces will not alter the quality of indoor room air in any way. They utilize a sealed combustion chamber that draws in fresh air from outdoors and discards all combustion by-products back outside.

### Limited Lifetime Warranty

The strongest in the industry, Heat & Glo provides a lifetime warranty on gas-burning products for their most important aspects: firebox and heat exchanger. For full warranty details, go to [www.heatnglo.com](http://www.heatnglo.com).

### IntelliFire®

Our exclusive, state-of-the-art IntelliFire ignition system reduces gas consumption and thermogenerator wear by providing a pilot flame only when needed. It also supplies a back-up battery system to run the fireplace during a power outage.

**HEAT & GLO™**

For complete information and valuable assistance on this model, please contact us at:

Heat & Glo  
 Lakeville, MN  
 888-427-3973 952-985-6000

Web: [heatnglo.com](http://heatnglo.com)

A brand of Hearth & Home Technologies Inc.



HNG-1034U-1008